



IFD™ Orca

Transformer Mounting Requirements



Reference Number: IG2010-Orca-1A
Replaces: IG2008-1A



Transformer Mounting Requirements:

Description	Measurement
Minimum * clearance to the center of the IFD mounting hole above the top oil level at 120°C. <i>* Mount the IFD as high above the oil level as tank design allows.</i>	0.5 inches (13 mm)
Minimum clearance from other transformer components	0.25 inches (6 mm)
Maximum painted tank wall thickness	0.19 inches (5 mm)
Mounting hole location & dimensions	See Figure 1
IFD Orca overall dimensions	See Figure 2

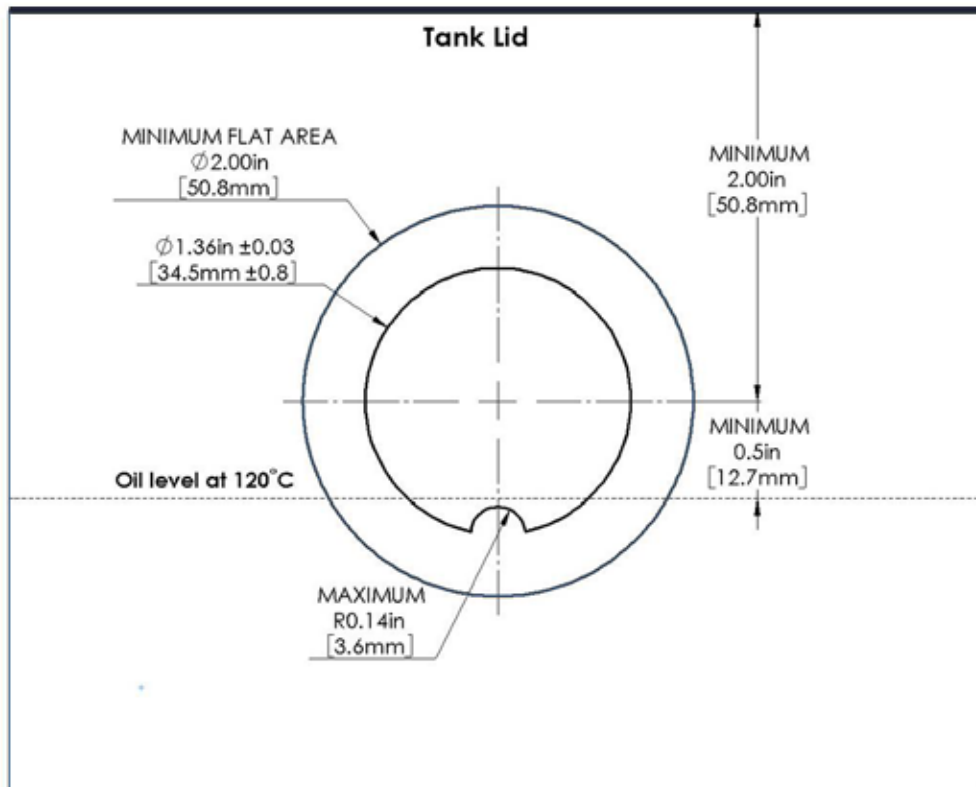
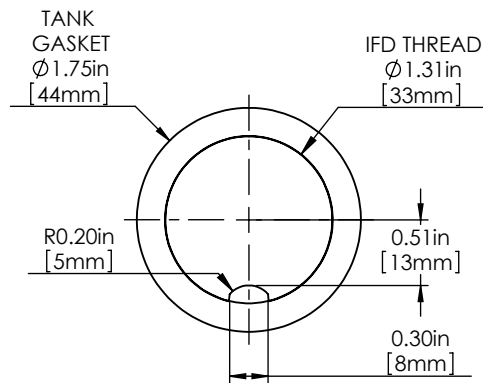
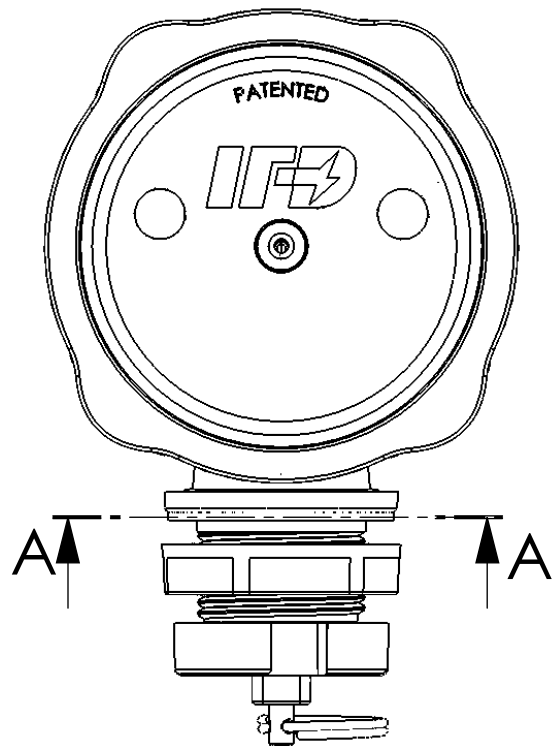
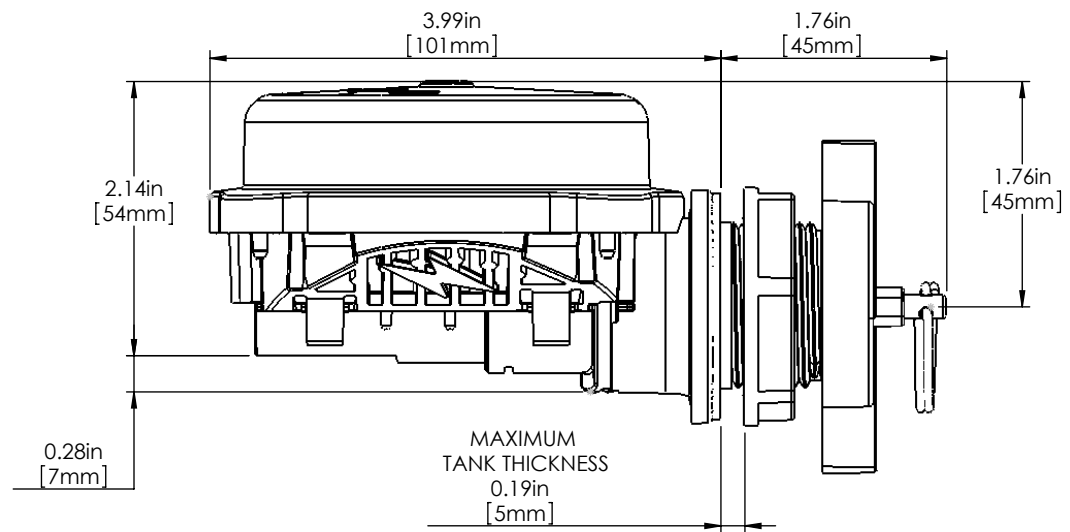
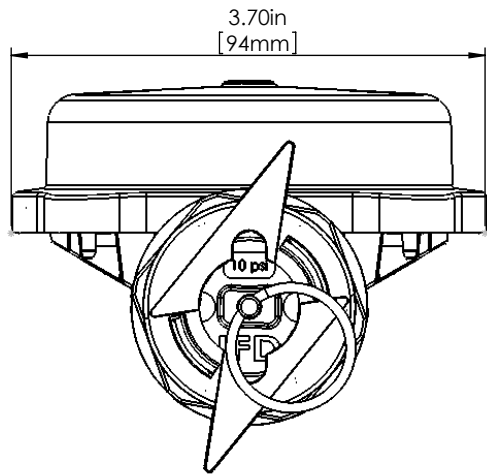


Figure 1: IFD mounting hole location & dimensions



Section A-A
IFD - FRONT END DETAIL

Note: Some features removed for clarity

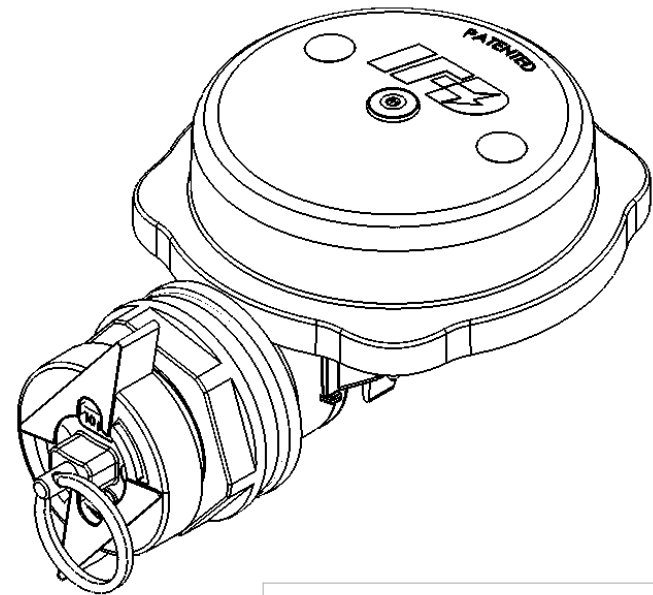


Figure 2

IFD IFD Corporation

TITLE: IFD Orca

PROPRIETARY AND CONFIDENTIAL
THE INFORMATION CONTAINED IN THIS DRAWING IS THE SOLE PROPERTY OF IFD CORP. ANY REPRODUCTION IN PART OR AS A WHOLE WITHOUT THE WRITTEN PERMISSION OF IFD CORP. IS PROHIBITED.

SIZE	PART NO.	REV
A	See IFD price list	0

DRAWN BY: A. Hunsberger Page 3 of 3